

*Professional outdoor portable power station,
household emergency, commercial energy
storage manufacturers*



Replacing diesel
generators Energy Storage Power

3480Wh--19000Wh



Maximum solar input:

500W

A good helper for outdoor homework

Reduce your electricity bills and strain on the grid by drawing power from the Model to power your home during peak. Charge your Model during off-peak hours using low-cost or renewable energy sources.

Emergency Power Backup

5075+ Wh

Battery capacity

2500 W (230V)

3500 W (110V)

Rated power

5500 W

(230V)
peak power



AC Input
PV Input

100-120V~60Hz / 1200W Max
220-240V~50Hz / 1500W Max
12-80V/20A. Max1200W



A good helper for outdoor homework

High power suitable for various electrical appliances, environmentally friendly and high-energy



Building construction
3500-5500W



Logging operations
3500-5500W



RV road travel
5050-19000Wh



Large capacity, scalable

Capacity after
parallel operation

19000 Wh





Supports High-Power Charging

AC Input:2500W Max

The Model supports high-power charging, significantly reducing charging time. It eliminates the need to occupy charging equipment for long periods, enhancing convenience in both daily life and work. With a more efficient charging process, it reduces energy waste and provides an excellent long-lasting battery experience

4 Charging method



solar Charging

About 5 hours to fully charge



AC Charging

About 4 hours full



Cigarette
Lighter Charging

About 50 hours to fully charge

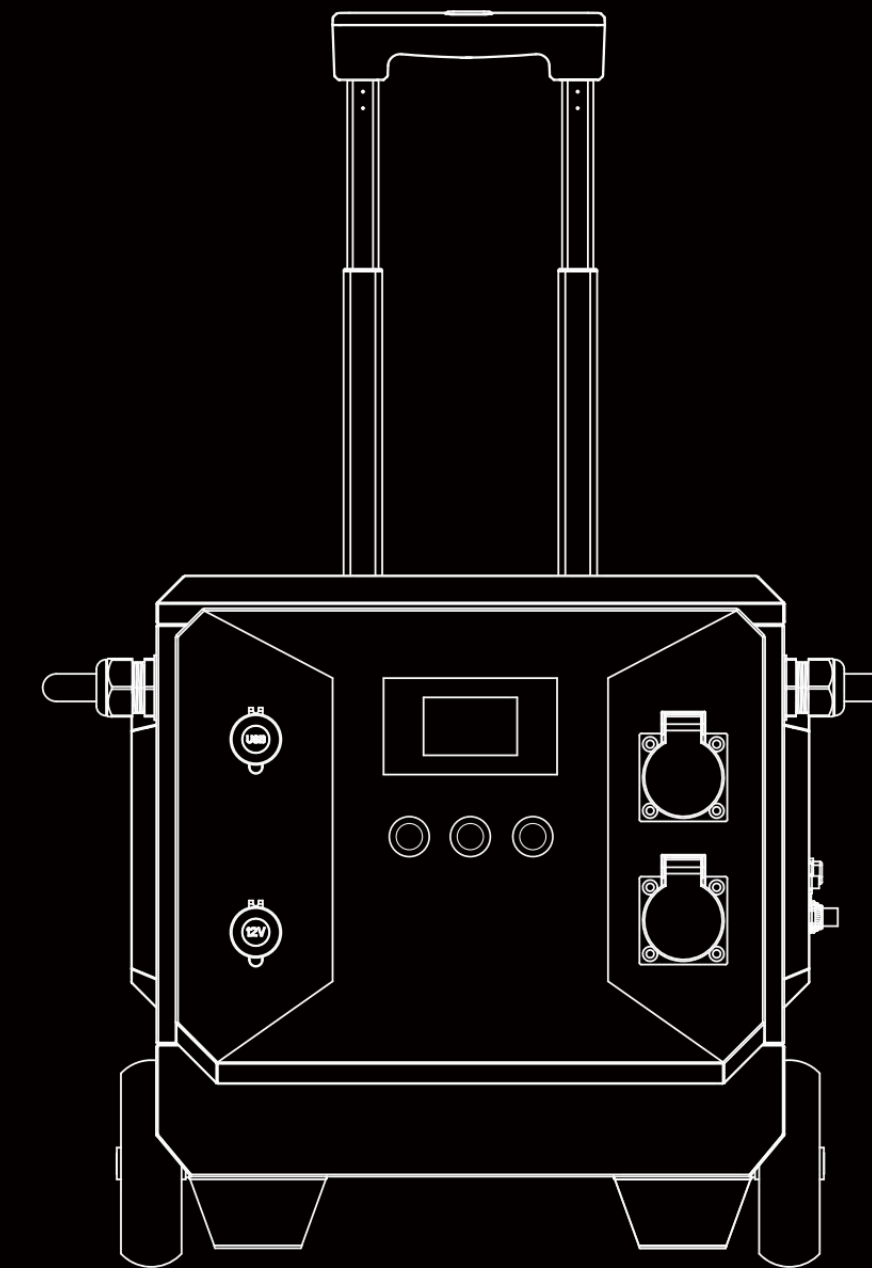
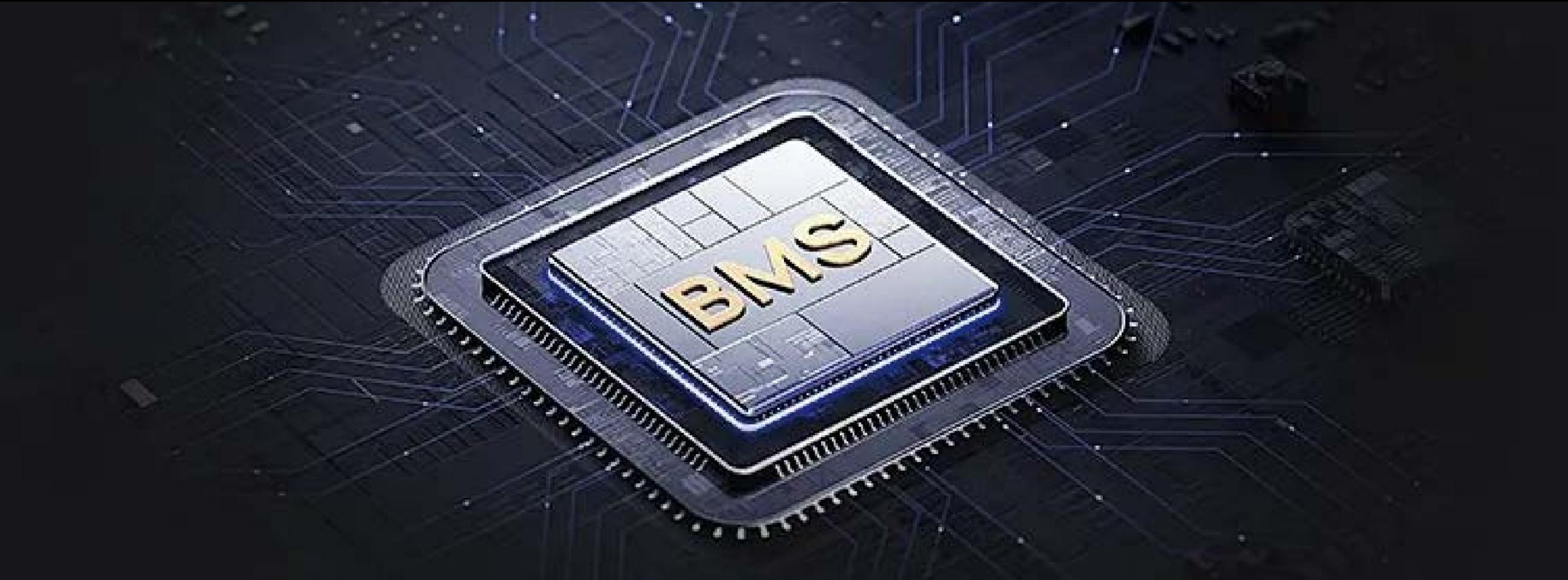
Choice exceeds expectations, energy exceeds imagination

Unlike gasoline power generation, it provides you with battery life in the event of a power outage, allowing you to keep your equipment running. The MPPT solar input device with a capacity of up to 5500W can quickly charge or maintain device operation

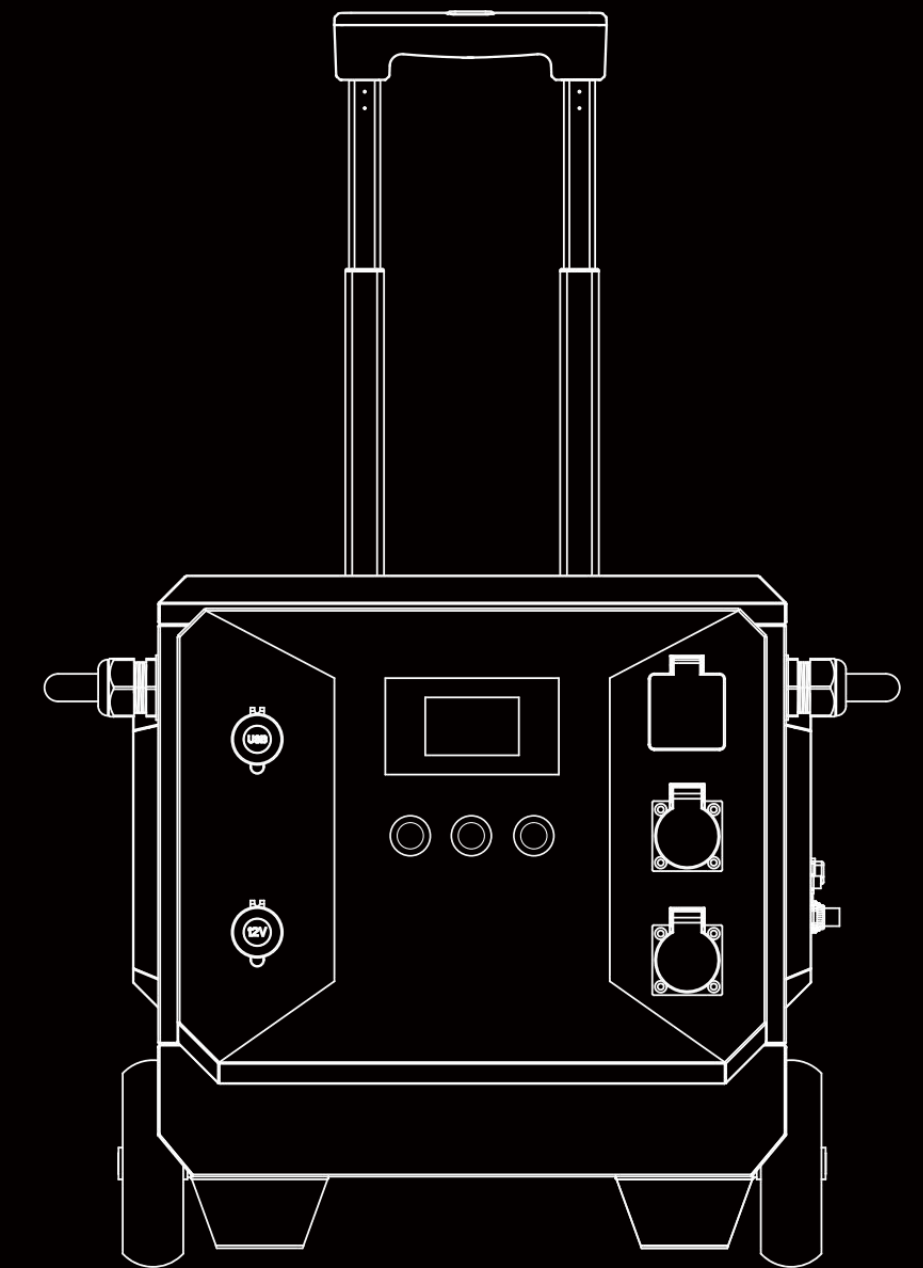
without depleting the panel load battery. Do you remember when you were worried about a power outage? Don't worry anymore, let's get to know each other better



Intelligent power management



EU



US

A comprehensive and multiple protection mechanism ensures the safe and reliable operation of the equipment.



Over Discharge Protection



Overload Protection



Overcharge Protection



Short Circuit Protection



Overvoltage Protection



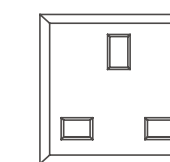
Over Temperature Protection



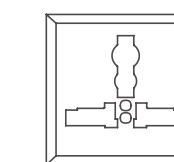
Low Temperature Protection



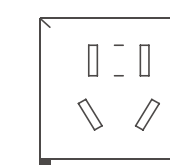
support AC output socket from multiple countries



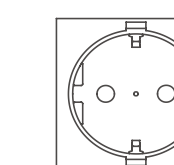
UK



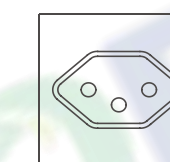
Universal port



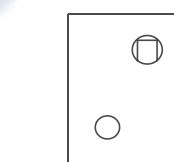
CN



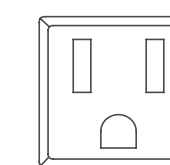
EU



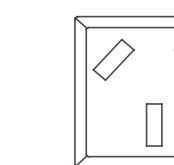
Swiss port



South Africa port



US/JP



AU

Usage scenarios

Flexible power plants that meet various scenarios and have different uses.



Energy storage power supply with ultra strong endurance

Suitable for various scenarios



construction site



Rural fields



Isolated island



shops



RV travel (outdoor camping)